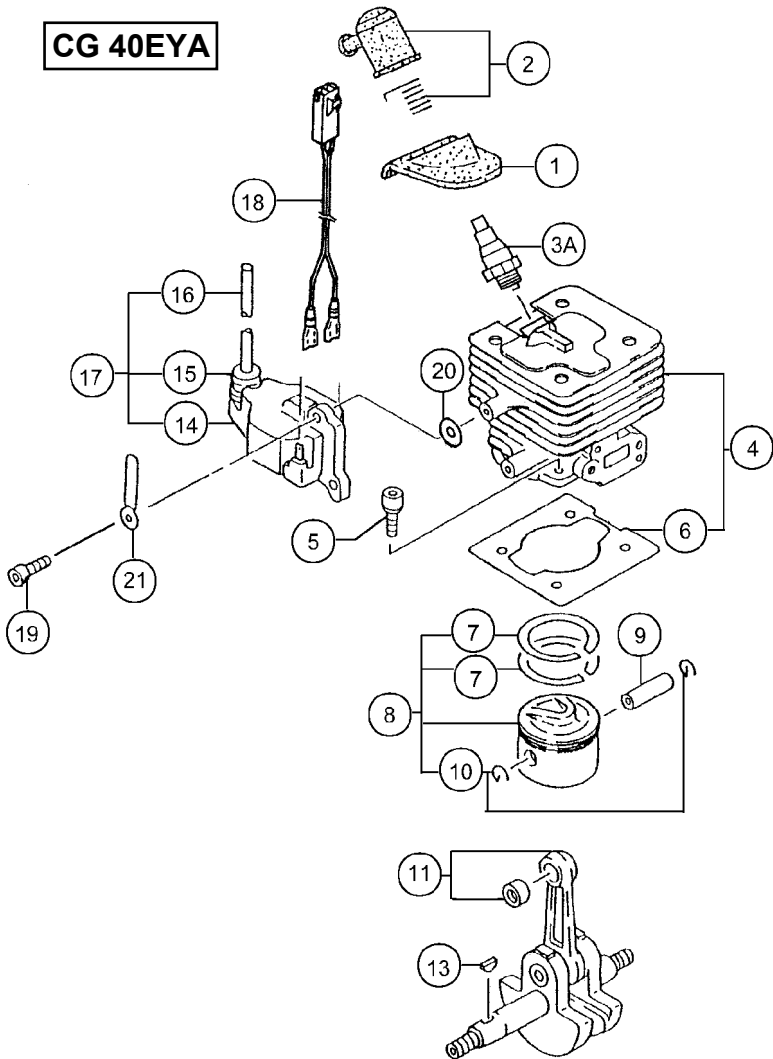
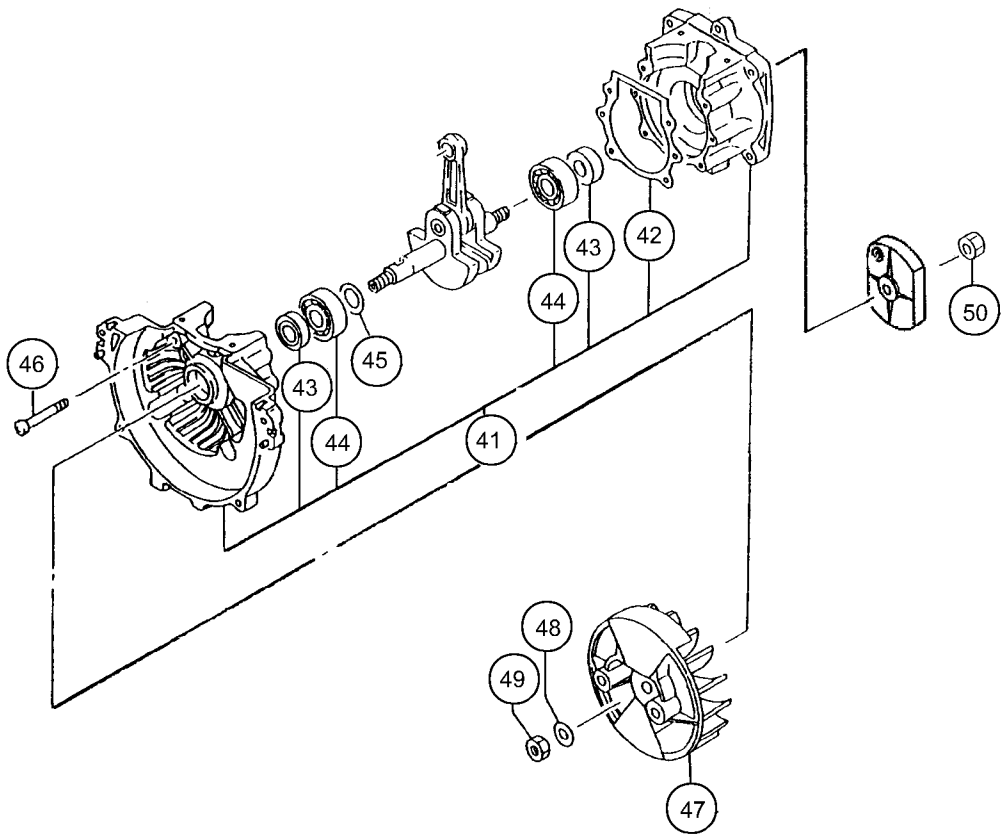
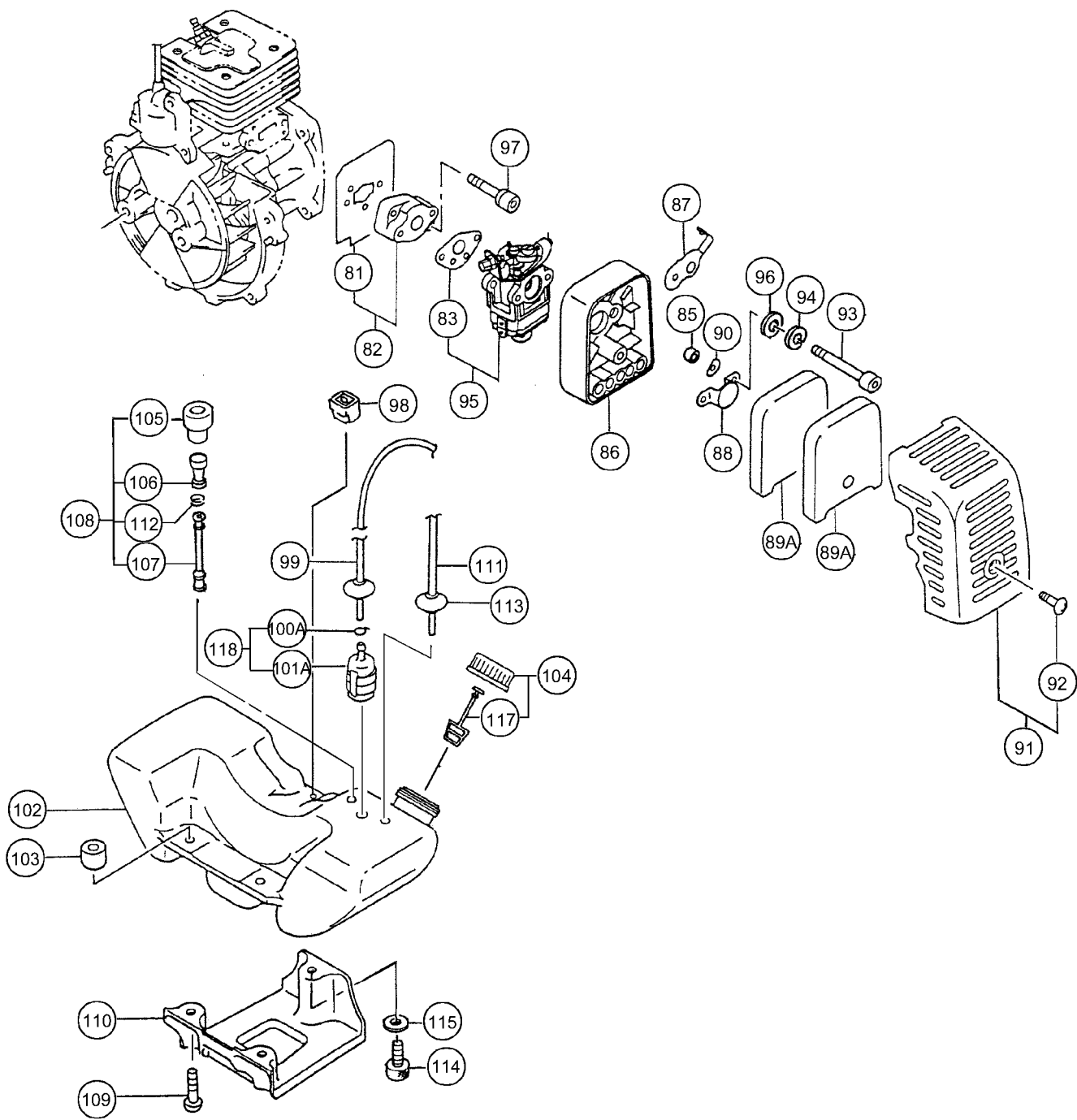
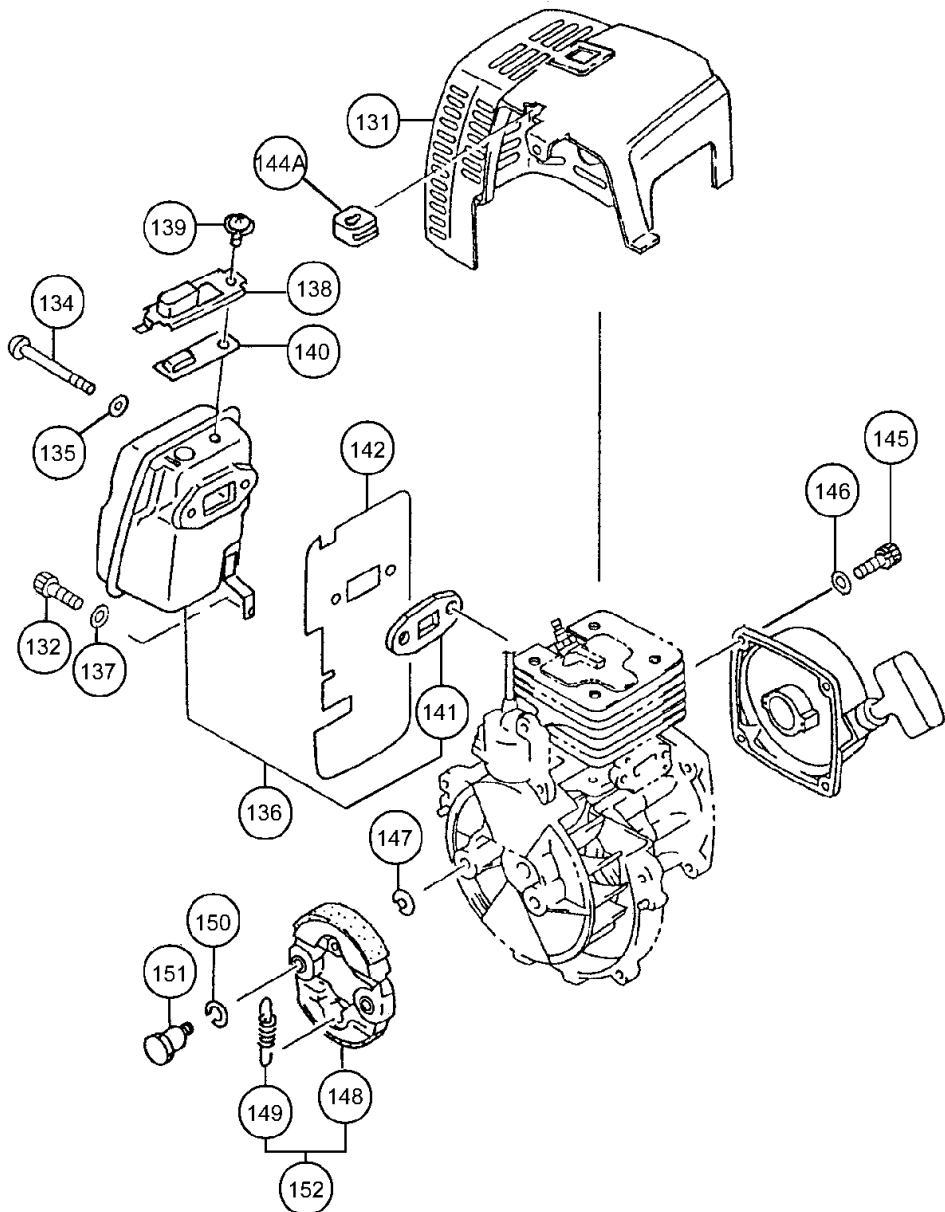


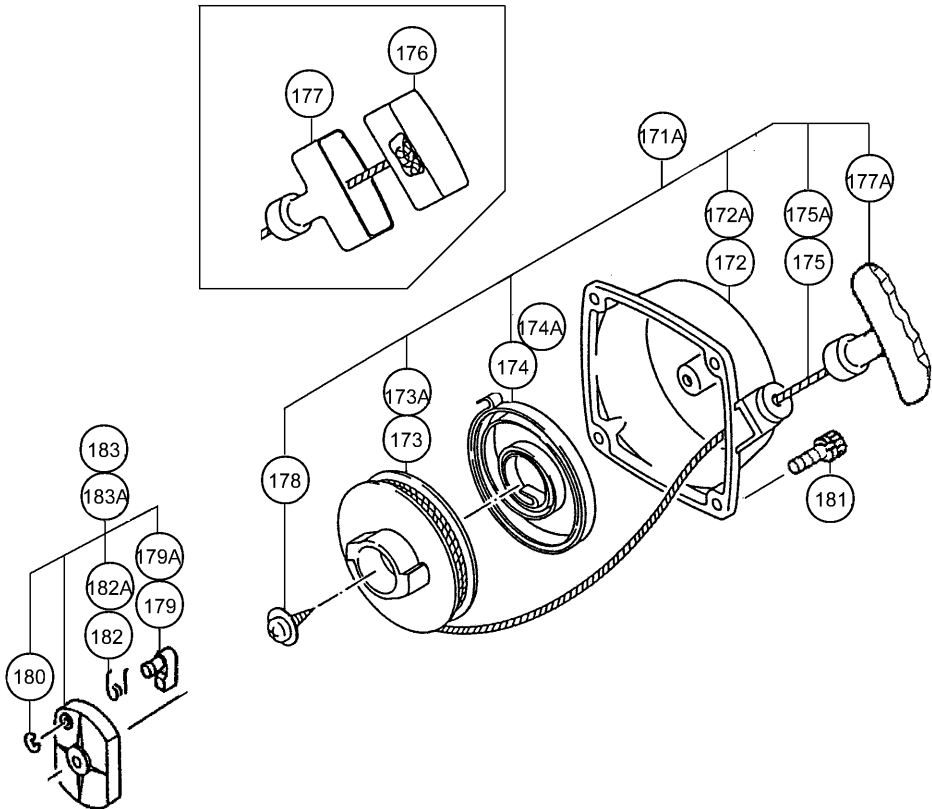
CG 40EYA

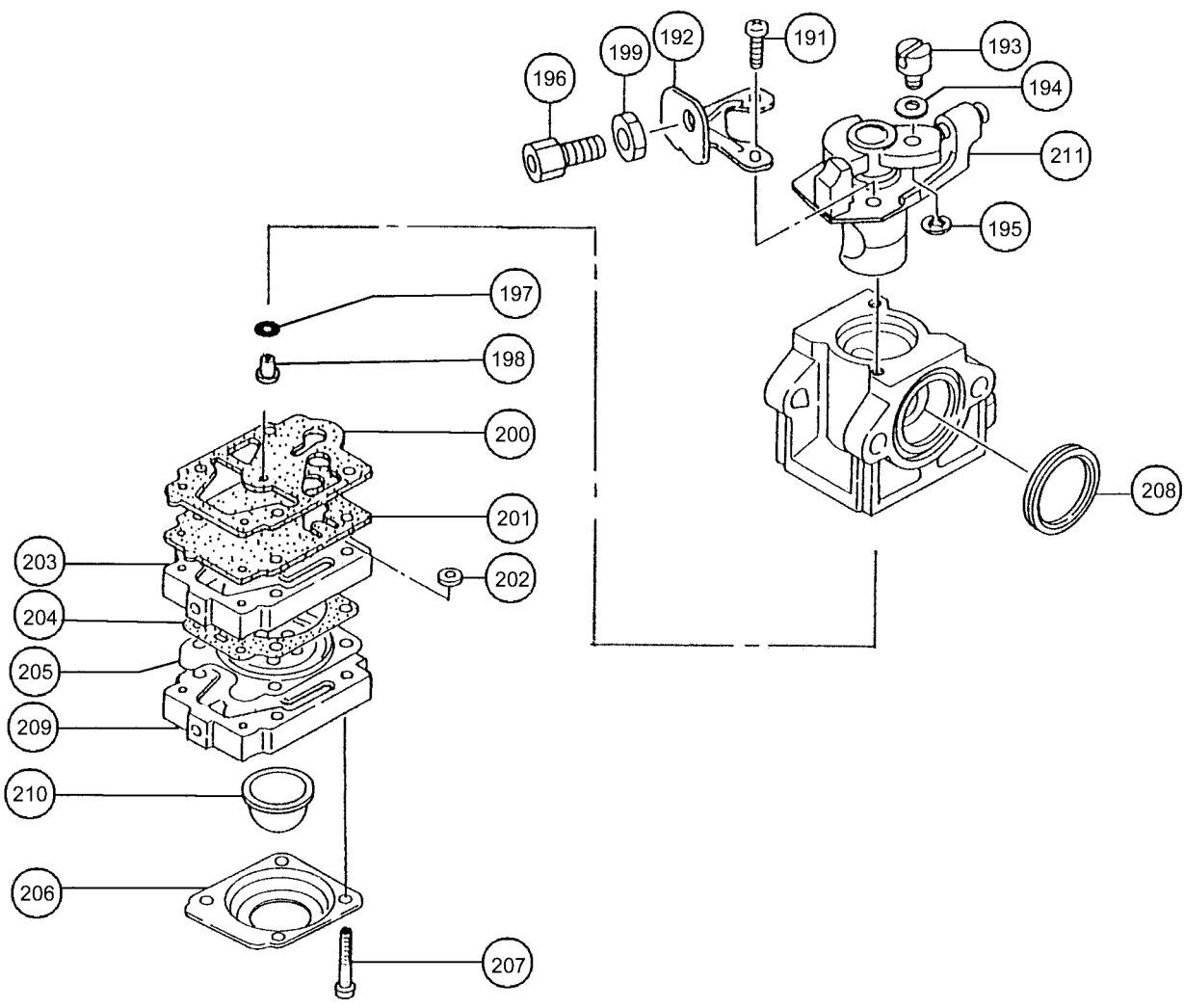


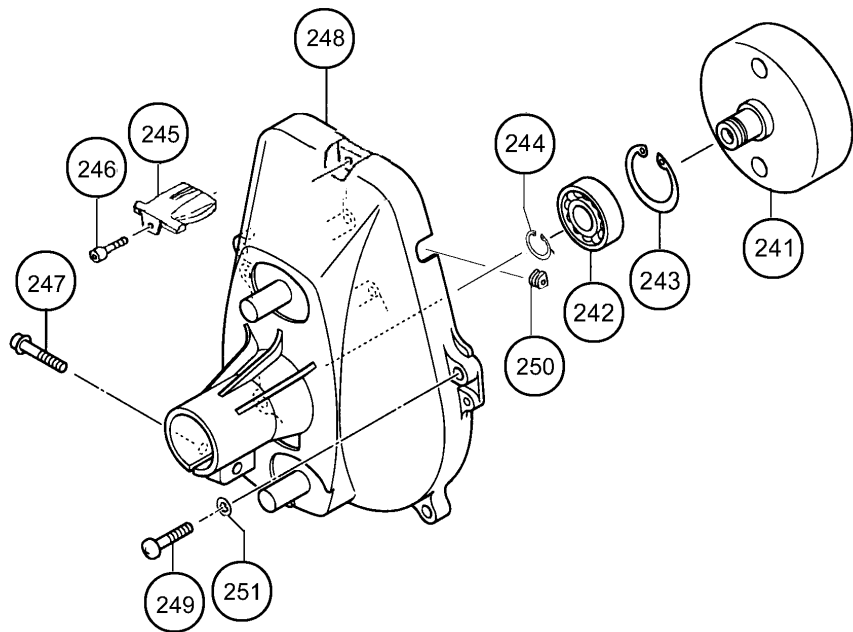


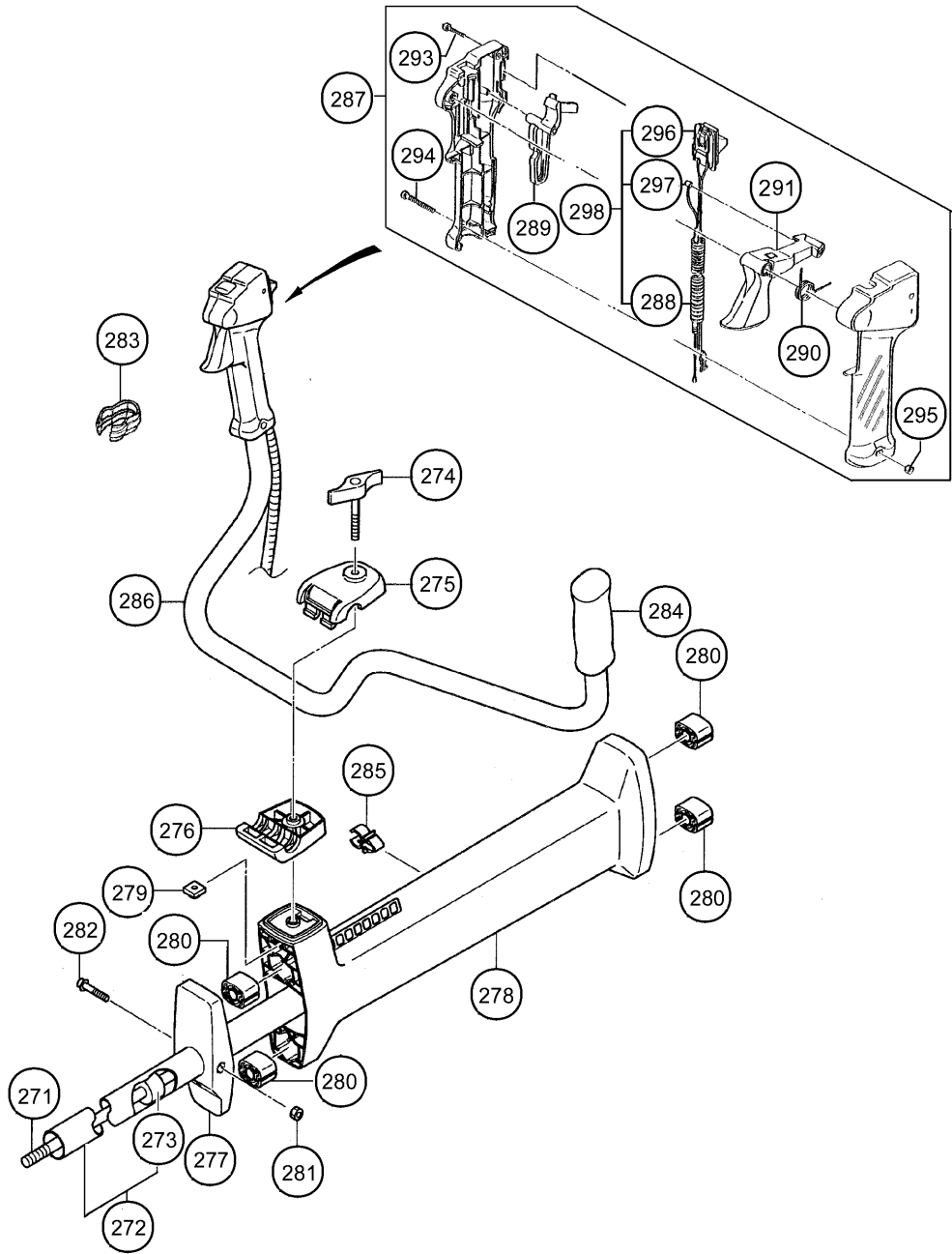


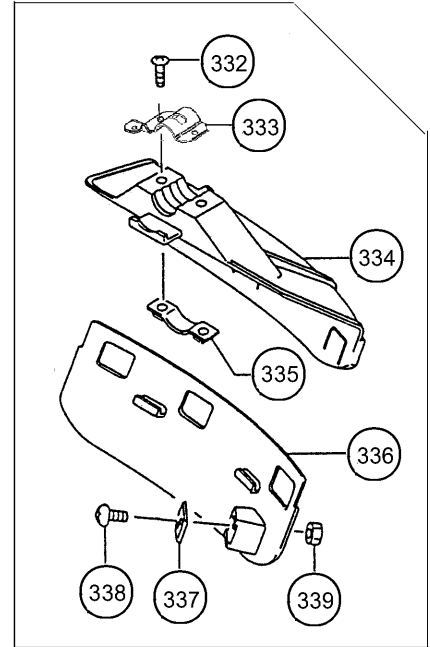
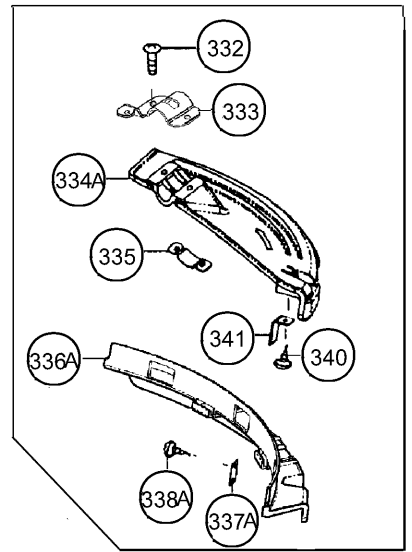
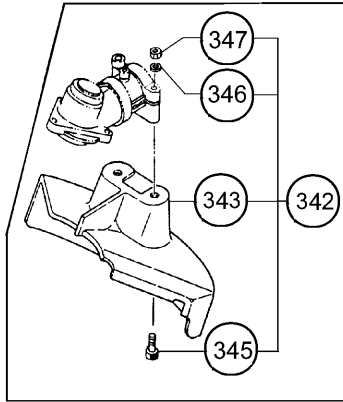
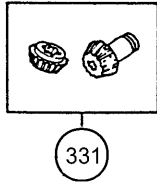
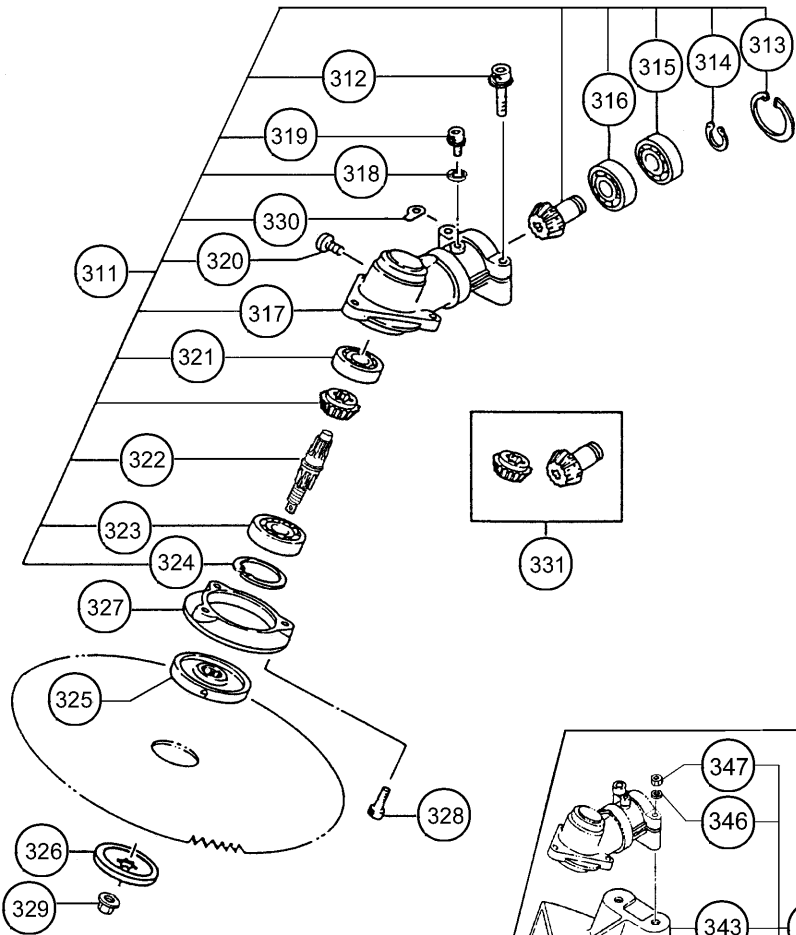


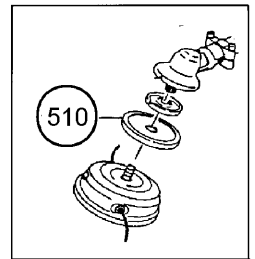
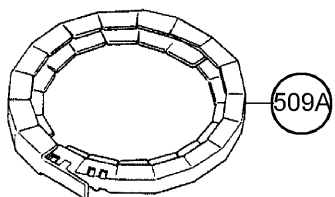
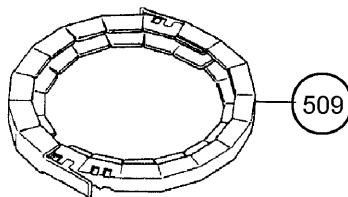
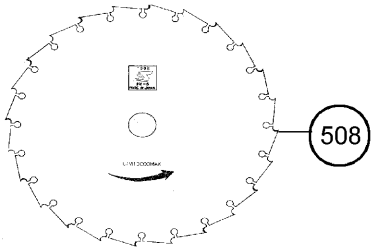
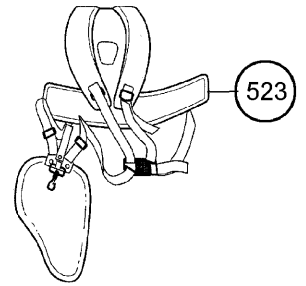
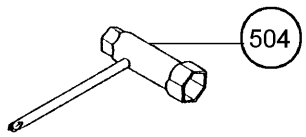
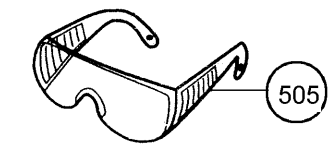
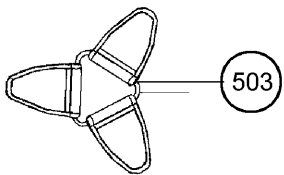
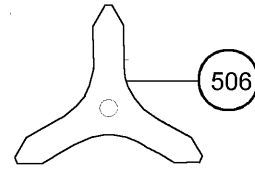
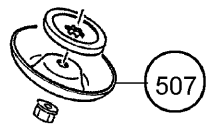
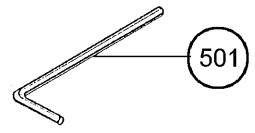
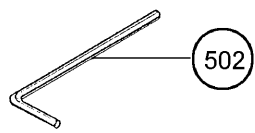
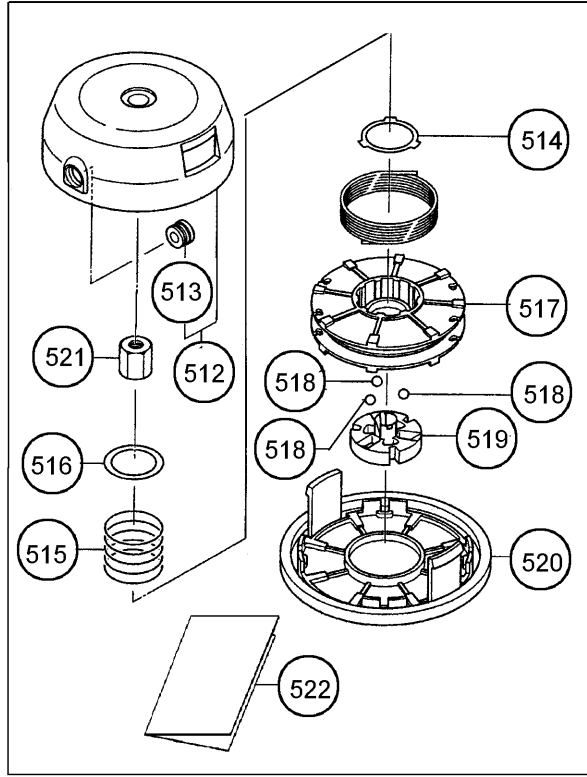












CG 40EYA(TP)

601

Pure Fire

Low Emission Two-Stroke Engine

Hitachi Koki
MADE IN JAPAN

602

PureFireTM

603